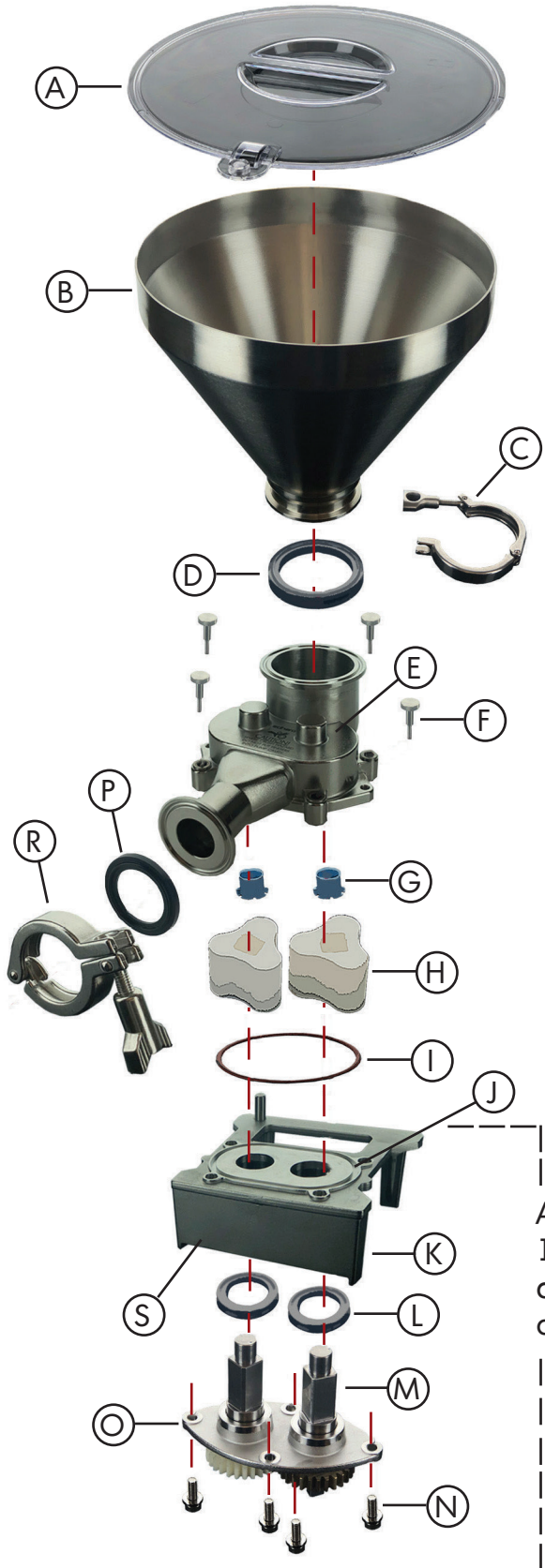


**WARNING!**  
**SEVERE CRUSH HAZARD. KEEP FINGERS OUT OF PUMP INLET AND OUTLET.**  
**(SEE ENGRAVED WARNING ON PUMP HOUSING)**



1. Place Shaft Seals [L] over Shafts [M] on the Shaft Plate [O] so that the red dots are facing downward.
2. Orient Plate [O] so that bronze gear is on RIGHT side when looking at front of Cover [K] (towards Safety Skirt [S]).
3. Push Shafts through holes on Cover until Plate seats fully and four (4) screw holes align.
4. Insert Screws [N] and tighten fully using 5mm hex wrench [T] included.
5. Place O-ring [I] in groove [J] of Pump Cover [K].
6. Place Impellers [H] onto Shafts [M] so that dots on Shafts line up with those on Impellers.
7. Place blue Bearings [G] in Housing [F] so that keys on Bearings line up with keyways in Housing.
8. Place Housing [F] on Cover [K] making sure they slide together freely.
9. Fasten Housing [F] to Cover [K] with Thumb Screws [E] - **HAND TIGHTEN ONLY. Make sure that all Thumb Screws are cross tightened evenly.**
10. Place Gasket [D] in groove on top of Housing [F].
11. Place Hopper [B] onto Housing [F] and Gasket [D]. Open Sanitary Clamp [C] and place around necks of Hopper & Housing. Join both ends of Clamp [C] and tighten until snug. **This must be done properly to ensure a leak-free connection.**
12. Choose appropriate spout or adaptor. Open Sanitary Clamp [R]. Place Gasket [P] on Sanitary Outlet Flange, put spout against Gasket and place Clamp around. Join both ends of Clamp and tighten until snug. **This must be done properly to ensure a leak-free connection.**
13. To disassemble pump - reverse procedure.

**CLEANING**

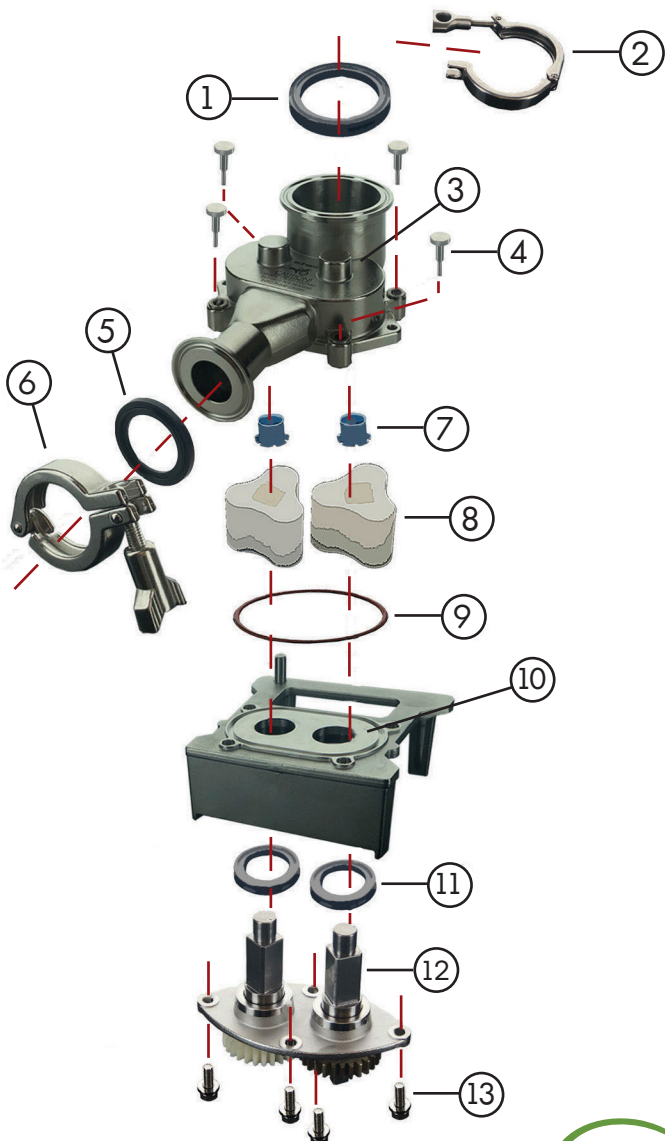
After use, disassemble pump and wash all parts thoroughly in HOT, SOAPY WATER. Keeping parts clean will ensure proper operation and also extend the life of the pump. **During cleaning make sure to inspect all parts for wear, nicks, scratches or dents that may affect pump's ability to work properly.**

Assembled for shipping and 1st use. After 1st use, disassemble for washing and sanitizing.



**WARNING!**  
**IMPORTANT INSTRUCTIONS**  
**READ AND**  
**UNDERSTAND COMPLETELY**

**WARNING!**  
SEVERE CRUSH HAZARD. KEEP FINGERS OUT OF PUMP INLET AND OUTLET.  
(SEE ENGRAVED WARNING ON PUMP HOUSING)



| Ref. No.                       | Description               | Qty. | Part Number |
|--------------------------------|---------------------------|------|-------------|
| 1                              | Gasket 2-1/2"             | 1    | FT-20047    |
| 2                              | Clamp 2-1/2"              | 1    | FT-20048    |
| 3                              | Pump Housing Assembly     | 1    | RP-3697     |
| 4                              | Thumb Screw               | 4    | RP-21389    |
| 5                              | Gasket 1-1/2"             | 1    | FT-20043    |
| 6                              | Clamp 1-1/2"              | 1    | FT-20044    |
| 7                              | Nylon Bearing             | 2    | RP-2369     |
| 8                              | 3-Lobe Impeller (HDPE)    | 2    | RP-21753    |
| SRP-Series Pump Cover Assembly |                           | 1    | SRP-3929    |
| 9                              | O-Ring                    | 1    | RP-2023     |
| 10                             | Pump Cover                | 1    | SRP-21408   |
| 11                             | Shaft Seal (Nitrile)      | 2    | FS-2302     |
| 12                             | Gear & Shaft Plate Assy.  | 1    | SRP-3927    |
|                                | Plate-Timing Gear & Shaft | 1    | SRP-21412   |
|                                | Drive Shaft               | 1    | RP-2340     |
|                                | Idler Shaft               | 1    | RP-2341     |
|                                | Key                       | 2    | RP-20616    |
|                                | Timing Gear (Left)        | 1    | RP-2367     |
|                                | Timing Gear (Right)       | 1    | RP-2366     |
|                                | Pin                       | 2    | RP-2370     |
| 13                             | Screw & Washer            | 4    | SRP-3914    |

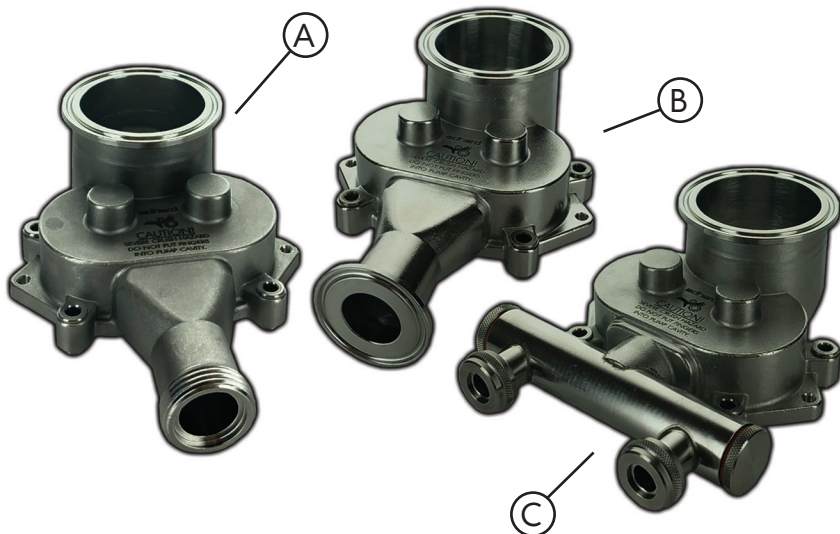
| Optional Impellers             |             |
|--------------------------------|-------------|
| Description                    | Part Number |
| 3-Lobe Impeller (PEEK Hi-Temp) | RP-20666    |
| 3-Lobe Impeller (SS)           | RP-2926     |
| 3-Lobe Impeller (Viton)        | RP-2873     |
| 5-Lobe Impeller (HDPE)         | RP-21743    |
| 5-Lobe Impeller (PEEK)         | RP-21744    |
| 2-Lobe Impeller (HDPE)         | RP-21827    |
| 2-Lobe Impeller (SS)           | RP-2343     |
| 2-Lobe Impeller (Viton)        | RP-2769     |



## HOPPERS AND HOUSINGS



| Ref. No. | Part                           | Description & Part Number |           |                 |                 |                 |                 |
|----------|--------------------------------|---------------------------|-----------|-----------------|-----------------|-----------------|-----------------|
|          |                                | 6 Qt/5.5L                 | 18 Qt/17L | 4 Qt/3.9L       | 18 Qt/17L 45°   | 18 Qt/17L 30°   | 36 Qt/34L       |
|          |                                | Tritan                    | Tritan    | Stainless Steel | Stainless Steel | Stainless Steel | Stainless Steel |
| 1        | Hopper                         | FS-3208                   | FS-3278   | FT-21656        | FT-20064        | FT-20065        | FT-20131        |
| 2        | Lid                            | F-21353                   | F-21354   | F-21354         | F-21354         | F-21354         | FS-3200         |
|          | Lid w/ Safety Interlock System | F-3881                    | F-3880    | F-3880          | F-3880          | F-3880          | FS-3906         |
|          | Lid for use w/ Pressure Disc   | N/A                       | FS-2449   | N/A             | FS-2449         | N/A             | FS-3200-V       |

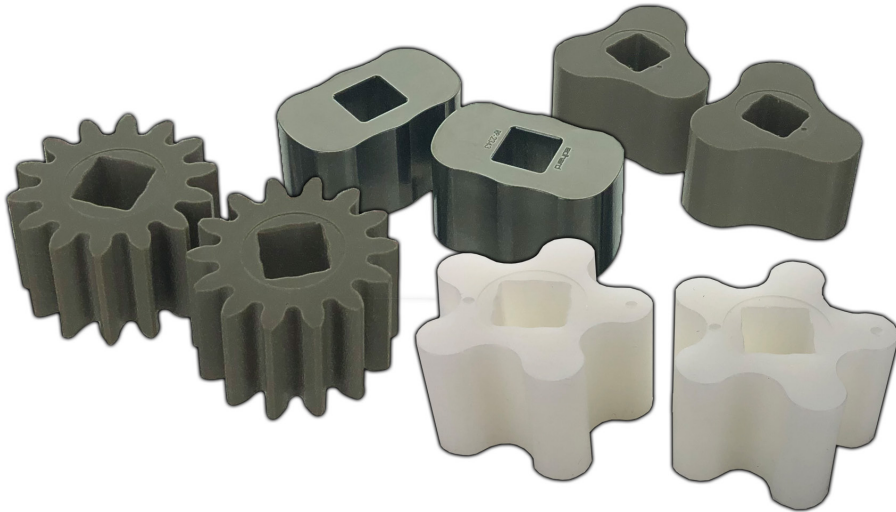


| Ref. Letter | Description     | Part No. |
|-------------|-----------------|----------|
| A           | Threaded Outlet | RP-30043 |
| B           | Sanitary Outlet | RP-3697  |
| C           | Double Outlet   | RP-3982  |





## OPTIONAL PARTS



| Optional Impellers             |          |
|--------------------------------|----------|
| 3-Lobe Impeller (PEEK Hi-Temp) | RP-20666 |
| 3-Lobe Impeller (SS)           | RP-2926  |
| 3-Lobe Impeller (Viton)        | RP-2873  |
| 5-Lobe Impeller (HDPE)         | RP-21743 |
| 5-Lobe Impeller (PEEK)         | RP-21744 |
| 2-Lobe Impeller (HDPE)         | RP-21827 |
| 2-Lobe Impeller (SS)           | RP-2343  |
| 2-Lobe Impeller (Viton)        | RP-2769  |



| Part                  | Part Number |
|-----------------------|-------------|
| T-Handle Key- 5mm HEX | RP-21546    |



| Part              | Part Number |
|-------------------|-------------|
| Extended Trip Arm | PS-3690     |

